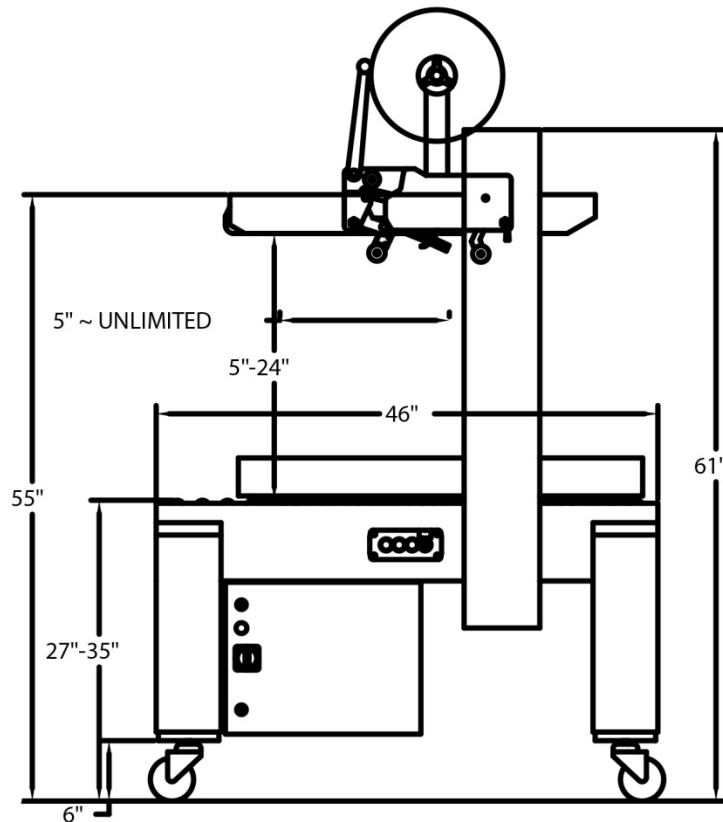
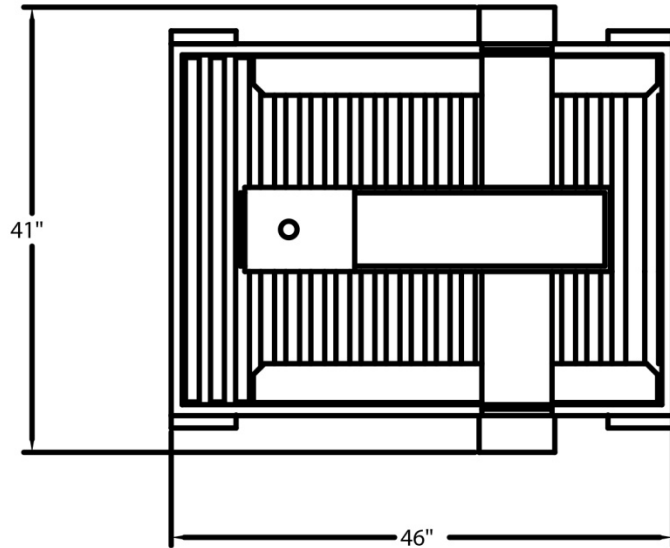


MAGNUM 4500 SD-R

STANDARD SYSTEM SPECIFICATIONS*

Classification Side Belt Drive Random
 Operating Rate Up to 12 Cases per Minute
 Tape Heads Magnum 200 Series
 Case Size Capacity 6"-24" W, 5"-24" H, 5" – Unlimited L
 Belt Speed Up to 75 Feet per Minute
 Working Height Adjustable 27"-35"
 Electrical Requirements 110 Volts, 60 Hz, 10 Amp
 Pneumatic Requirements 80 psi, 4 cfm
 Standard Machine Weight 650 Pounds
 Standard Machine Dimensions 46" L, 41" W, 62" H

* Specifications subject to change without notice.



27-35"H

